

"BP" SERIES COMPACT SPEAKERS



Available in 100 or 200-watt versions, the BP series of compact speakers is the versatile choice for audible warning.

The BP series of compact speakers with their revolutionary, patented design is a perfect fit for all of your audible emergency warning needs.

Constructed of a sturdy, cast aluminum housing, the BP series of speakers are designed to perform in all weather conditions and are also compatible with all Federal Signal sirens. These speakers provide an excellent alternative to mounting a speaker in a lightbar, and because of their compact size, they allow for various inconspicuous mounting locations on a wide range of vehicles.

REVOLUTIONARY DESIGN

The dual diverging manifold design of the BP100 and BP200 projects sound more uniformly than conventional speakers. This means more sound projection to both sides, as well as to the front of the vehicle.

BP100

The compact size of the BP100 allows it to be mounted on top or behind the bumper, or installed behind the grille of popular emergency vehicles. Sound is projected forward, and compartment noise is effectively

reduced. The BP100 also complies with Class A specifications when used with any Federal Signal siren. Available in two finishes, the **BP100** has a black matte finish and the **BP100P** is highly polished.

BP200

The BP200 speaker incorporates two 100-watt neodymium drivers to produce a full 200 watts of output. Designed to attractively flush mount through the bumper of a vehicle, the BP200 is available with a choice of two grilles. The **BP200-EF** includes a polished, stainless steel "Electric F" grille. The **BP200-Q** includes a backplate and the classic chrome plated "Q" grille, which is a staple in the fire industry.

INSTALLATION

The BP series of compact speakers is available with a variety of mounting options to perfectly fit specific applications. Choose from a selection of BP100 mount kits or select a BP200 model, which includes an integral mounting bracket and hardware.

QUICK REFERENCE

FEATURES

- Compact size allows for convenient installation.
- Unique design projects sound to the front as well as to the sides of the vehicle.
- 100-watt speaker meets Class A standards when used with any Federal Signal siren.

APPLICATIONS

- Police vehicles
- Fire apparatus
- Ambulances
- Light fleet / command vehicles

REPLACEMENT PARTS

Driver, BP100	Z8556114B
Bracket, black, BP100	Z8567004A
Bracket, chrome BP100P	Z8567004A-01
"Electric F" Grille	Z8567102A
Driver, neodymium, BP200	Z8280090A

RELATED PRODUCTS

PA300 Electronic Siren	Bulletin #5102
e-Q2B Electronic Q-Siren	Bulletin #5107
SmartSiren®	Bulletin #5113
DynaMax™ Compact Speaker	Bulletin #6102
Economy Neodymium Speaker	Bulletin #6105

HOW TO ORDER

1. Specify a model.

BP100	100-watt, compact speaker, black
BP100P	100-watt, compact speaker, polished
BP200-EF	200-watt speaker, mount with "Electric F" grille
BP200-Q	200-watt speaker, mount with classic "Q" grille and backplate

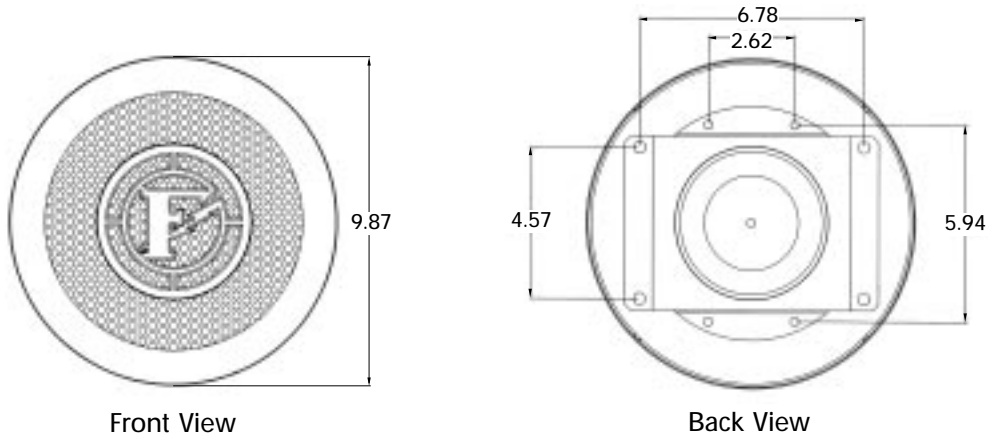
2. When ordering BP100 or BP100P, order a mounting kit.

BPCR	Standard behind-the-grille mount kit
BPMT	Standard bumper mount kit
BPMT-P	Polished bumper mount kit

SPECIFICATIONS									
Model	Power (watts)	Height		Width		Depth		Ship. Weight	
		in.	cm.	in.	cm.	in.	cm.	lbs.	kg.
BP100	100	5.5	14.0	5.5	14.0	5.5	14.0	14.0	6.4
BP100P	100	5.5	14.0	5.5	14.0	5.5	14.0	14.0	6.4
BP200-EF	200	5.5	14.0	7.7	19.6	7.8	19.8	21.0	9.5
BP200-Q	200	5.5	14.0	7.7	19.6	7.8	19.8	24.0	10.9

DIMENSIONAL DRAWINGS

BP200-Q Grille and Backplate



BP200-EF Grille

