

# ECONOMY NEODYMIUM SPEAKER



Model TS100-N

*New speaker driver creates high-powered sound at an affordable price!*

Federal Signal continues the commitment to advanced technologies with the TS100-N high power speaker. The TS100-N delivers outstanding audible warning and is designed to satisfy the ever-expanding variety of emergency vehicle applications.

## **Economical/Functional**

The TS100-N advantage revolves around the speaker's newly designed driver component. The element neodymium, and magnetic materials are combined to create a speaker package that is powerful, compact and affordable. This low cost, compact design provides for added mounting location flexibility, and is compatible with all Federal Signal electronic siren amplifiers.

## **Increased Versatility**

The TS100 neodymium speaker meets or exceeds SAE J1849 specification requirements for sound. It's design features the time honored styling of the popular TS100 (standard driver) model, and has been improved upon by making it an inch shorter and nearly 40% lighter. The TS100-N can be mounted in a variety of locations, including behind the grille or in the bumper area of your emergency vehicle.

Powerful sound can be delivered to you through a variety of well-known Federal Signal speakers. For more information on concealed mounting applications, refer to Product Bulletin #6101 for the BP100 series 100-watt speakers, and Product Bulletin #6102 for the DynaMax 100-watt ultra compact speaker series.

## **QUICK REFERENCE**

### **FEATURES**

- Economical - price reduced with more efficient driver magnet material.
- Brilliant, High powered Sound - 100 watt output meets SAE J1849.
- Compact Size - weighs less with increased mounting versatility.
- Functional - compatible with all Federal Signal electronic amplifiers.

### **APPLICATIONS**

Behind the grille and around the bumper on:

- Police vehicles
- Fire Market / Ambulances
- Volunteer vehicles

### **APPROVAL**

- Meets SAE J1849 requirements for sound output when paired with any Federal Signal siren.

### **RELATED PRODUCTS**

PA300 Electronic Siren

Bulletin # 5102

PA400SS Electronic Siren

Bulletin # 5104

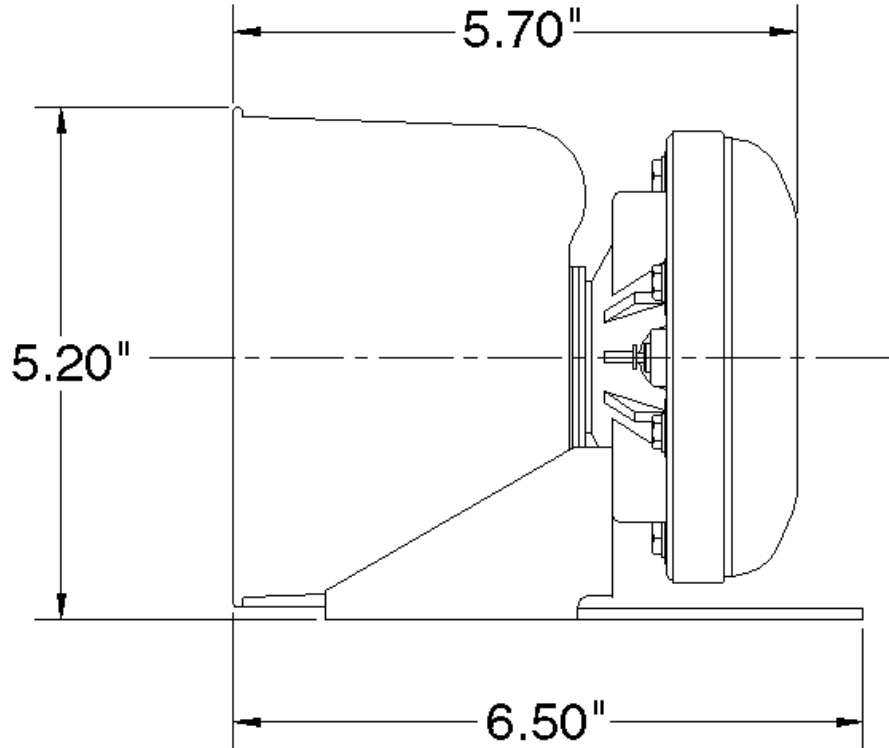
MS4000/MS4000U  
Electronic Sirens

Bulletin # 5112

SS2000 Electronic  
SmartSiren® Series

Bulletin # 5113, # 7500

SPECIFICATIONS					
Model	Power (watts)	Width (in/cm)	Height (in/cm)	Depth (in/cm)	Weight (lbs/kg.)
TS100-N	100 Watts	8.2"/20.9cm.	5.2"/13.4cm.	5.7"/14.6cm.	5.95lbs/1.86kg.



**FEDERAL SIGNAL CORPORATION**  
 Emergency Products

An ISO 9001 Certified Supplier  
 2645 Federal Signal Drive, University Park, IL 60466-3195  
 Tel.: (800) 264-3578 • Fax: (800) 682-8022  
 Web: www.fedsig.com

Warning: Sirens and Speakers may produce LOUD sounds necessary to request the right-of-way. Sirens and Speakers may cause hearing damage. Wear hearing protection.

SmartSiren® is a registered trademark of Federal Signal Corporation.  
 ©2001 Federal Signal Corporation