

GHSCENE AREA LIGHT



The GHSCENE area light has two adjustable halogen lamps.

The GHSCENE area light combines the compact styling of our flush mount strobe with the ability to provide scene lighting wherever it is required.

The GHSCENE light uses the same housing as the FireRay™ strobe but features two 20-watt halogen fixtures. These 20-watt halogen fixtures use lamps that are commercially available at many hardware and lighting supply stores.

Both lights can be adjusted horizontally and vertically to direct light wherever you need it. When the lamps have been

adjusted to the desired position, simply tighten one screw to lock the assemblies in place.

Enclosed in durable polycarbonate, all electrical connections for the GHSCENE are protected against the elements. Each unit comes with a thick foam gasket and all mounting hardware. The foam gasket allows for a snug seal, even around diamond plate.

A variety of possible applications exist for the GHSCENE area light. (See applications to the right).

QUICK REFERENCE

FEATURES

- Two independently adjustable 20-watt halogen lamps.
- Internal electrical connections.
- Thick foam gasket provides a snug seal around irregular surfaces.
- Polycarbonate housing minimizes galvanic reactions with vehicle body.
- Easy to install and service.

APPLICATIONS

- Scene lighting for EMS or fire apparatus
- Any body mounted area where light is required
- Ground area lighting for outrigger legs

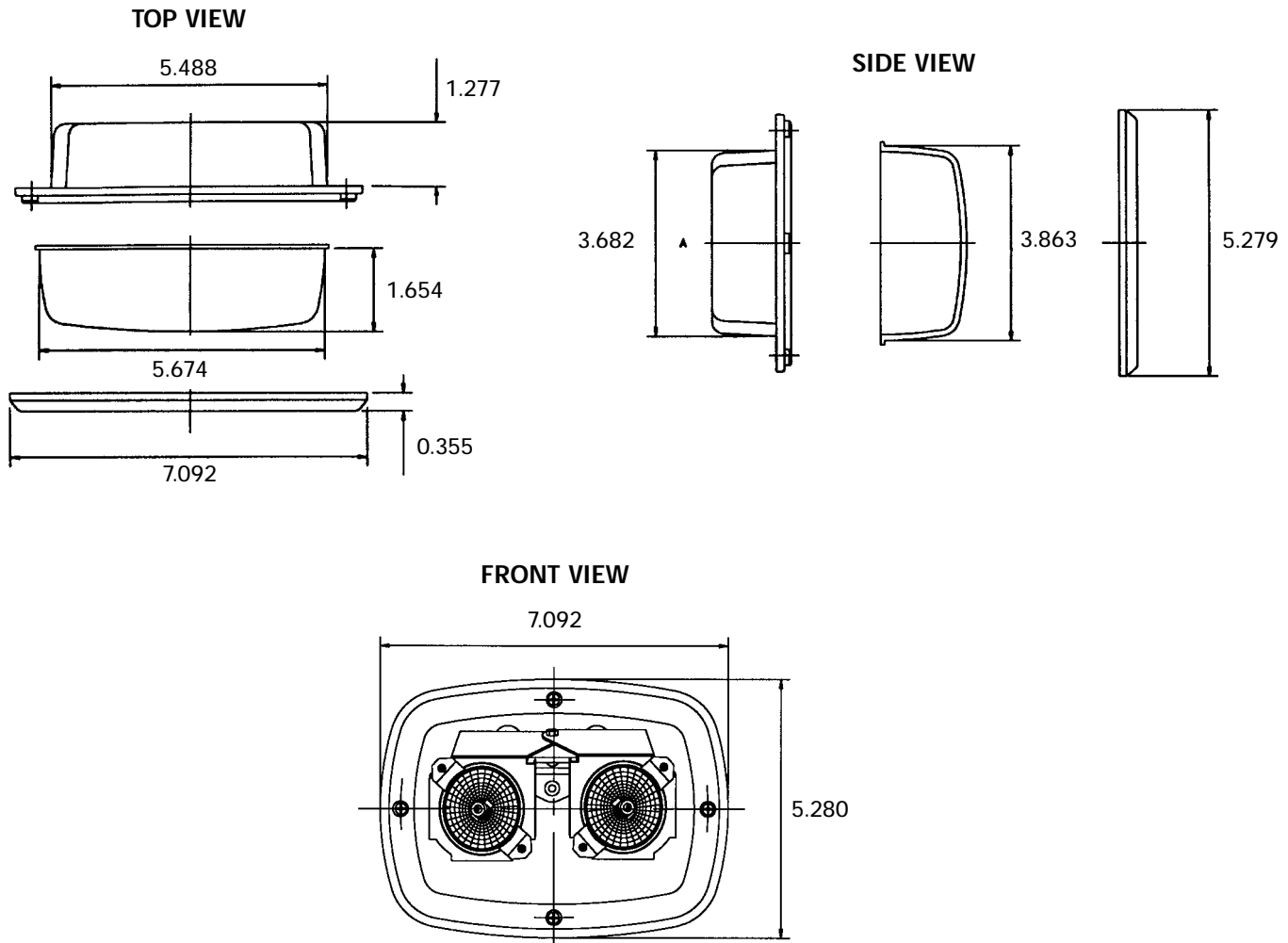
REPLACEMENT PARTS

Bulb	Z8575107A
Lens	Z8575108A
Trim Ring	Z8575105A

RELATED PRODUCTS

- VisiBeam® II Spotlight
Bulletin #4111
- Night-Fighter® Spot/Flood Light
Bulletin #4112
- FireRay™ Strobe System
Bulletin #4106

DIMENSIONAL DRAWINGS



HOW TO ORDER

- Specify model.
GHSCENE Dual-lamp adjustable area light

FACTORY SET SPECIFICATIONS

Model	Input Voltage	Watts	Current Draw	Candelas
GHSCENE	12.8VDC	20	3.5 amps	1,050

DIMENSIONS

Model	Height		Width		Depth		Ship. Weight	
	in.	cm.	in.	cm.	in.	cm.	lbs.	kg.
GHSCENE	3.3	8.4	7.1	18.0	5.3	13.5	1.3	0.6